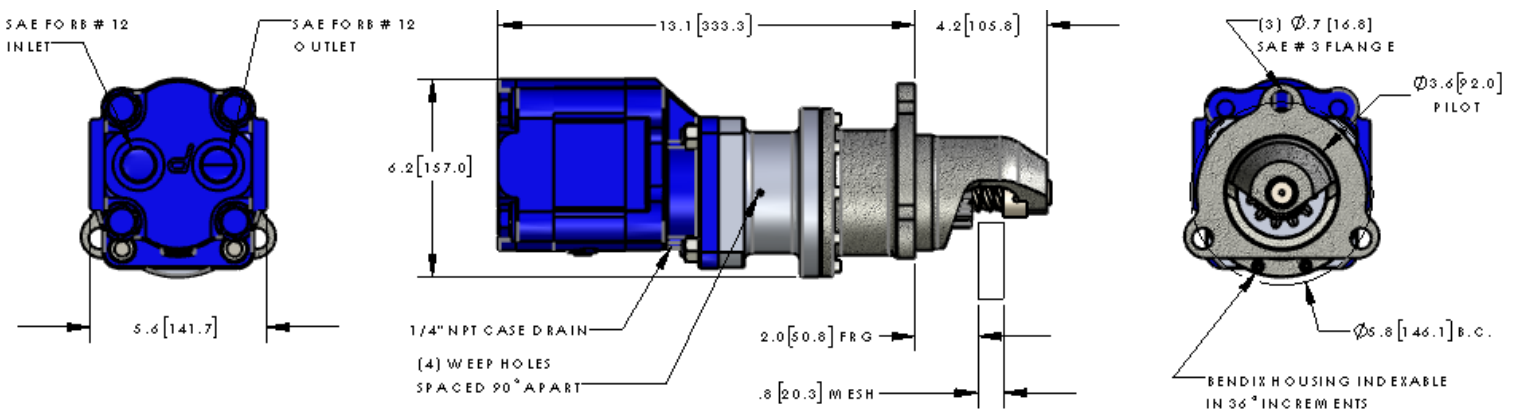
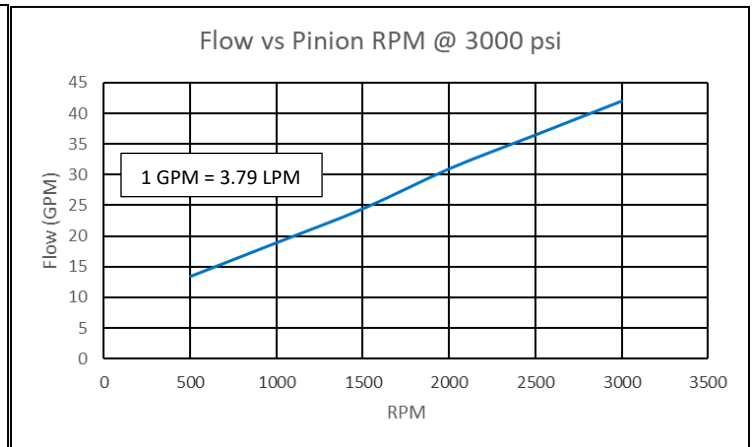
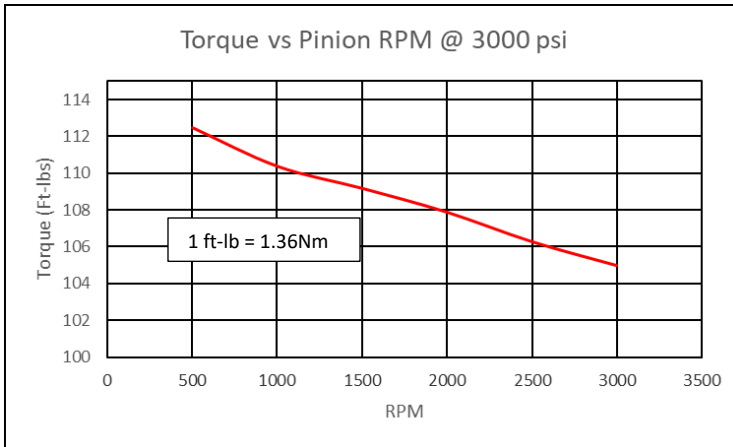


## Starter Part Number: 6-HS-224 RH1 PQS79

Hydraulic Starter Specification	
Engine Application	8-49 Liter (30-49 Liter)
Hydraulic Oil, Supply Pressure	3000 psi (207 bar) – recommended
Hydraulic Oil Flow Required	26-39 GPM (83-113.5 LPM)
Hydraulic Oil, Specification	Normal operating viscosity range: 80-1000 SUS (16-220 cSt) Maximum startup viscosity should not exceed 4000 SUS (864 cSt)
Max starter torque output at 3000psi (207 BAR)	113 ft-lbs (153 Nm)
Operating Temperatures	-40° F to 180° F (-40°C to 82°C)
Pinion characteristics	11 Tooth - 6/8 DP - RH Rotation
Weight	55.4 lbs (24.7 kg)

$$\text{Pinion speed} = \text{engine speed} * \frac{\text{ring gear tooth count}}{\text{pinion tooth count}}$$

$$\text{Engine torque} = \text{starter torque} * \frac{\text{ring gear tooth count}}{\text{pinion tooth count}}$$



Units: in [mm]