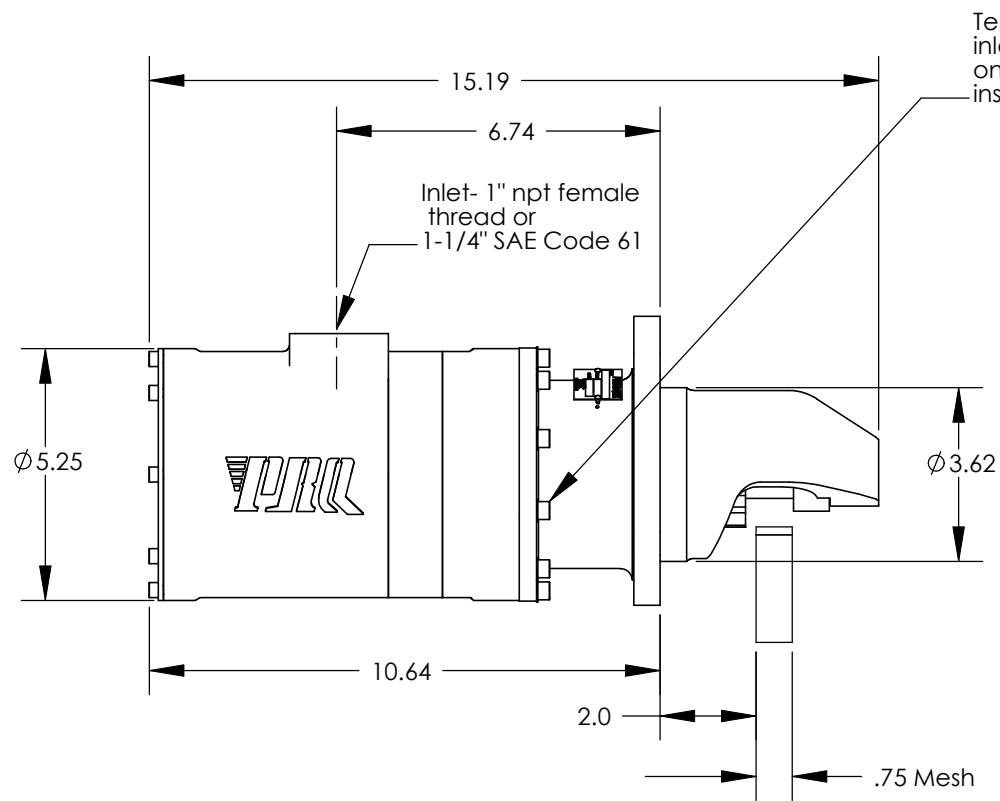
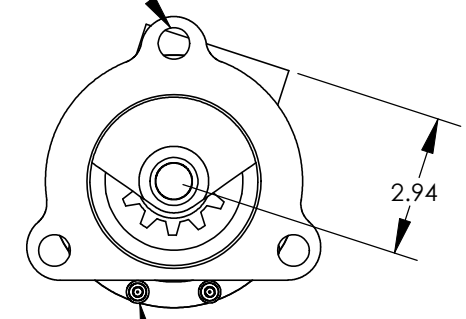


The subject matter shown and described in this drawing and any other information advanced in connection therewith is to be held in strict confidence. All rights to any designs, inventions, trademarks, and copyrights disclosed are reserved to Dreison International Inc.



Three $\phi 21/32$ " mounting holes for 5/8" bolts, equally spaced on 5.75" bolt circle SAE #3 flange



Ten 1/4"-28 screws equally spaced, Bendix housing may be rotated to any one of 10 positions to accommodate installation (36° increments)

MATERIAL: SEE BOM

FINISH: N/A

THIRD ANGLE PROJECTION
 INTERPRET IN ACCORDANCE WITH ANSI Y14.5M-1982



STD TOLERANCES (UNLESS OTHERWISE NOTED)
 Fractional $\pm 1/32$ Decimal $.XX \pm 0.010$ Angular $\pm 1^\circ$
 .XXX ± 0.005
 WHOLE NUMBERS & 1 PLACE DECIMALS ARE REFERENCE DIMENSIONS ONLY

TITLE
PRQ 221 TURBINE STARTER

DIMENSIONS IN INCHES [mm] DO NOT SCALE
 Created- 3-20-09

SIZE **A** FSCM NO. **ODBY7** DWG. NO. **35000** REV **A**

REV	DATE	DESCRIPTION	ZONE	ECN	PROJ- 59EX052	Author - RDINGESS	APPROVED	SCALE 1:4	SHEET SHEET 1 OF 1
					REF -	Checked - PDE			