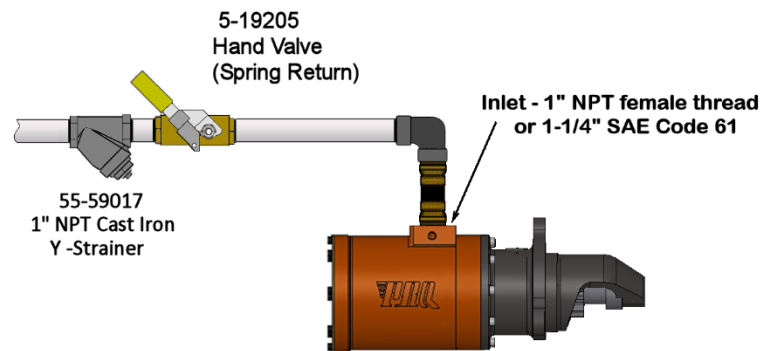
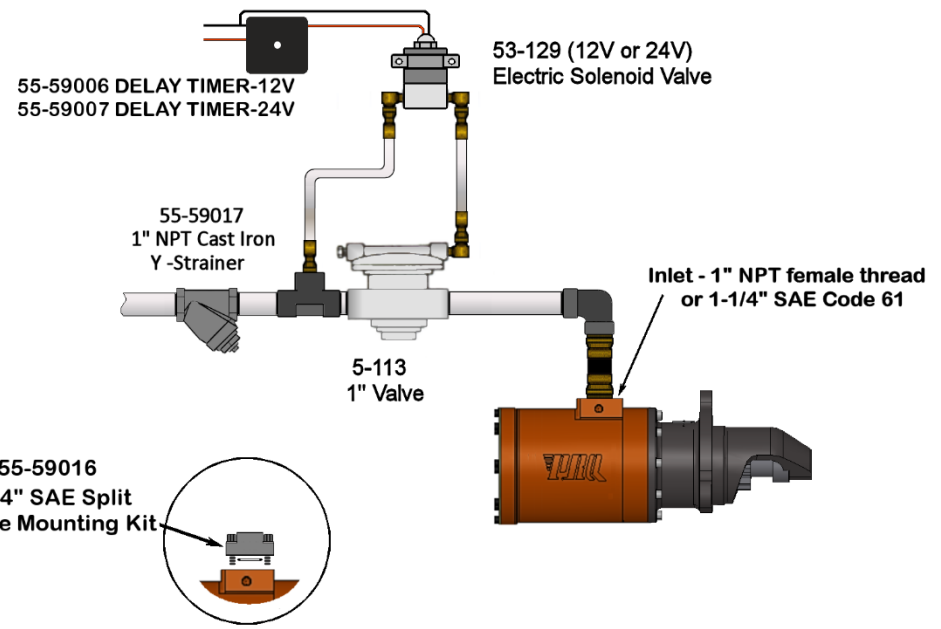
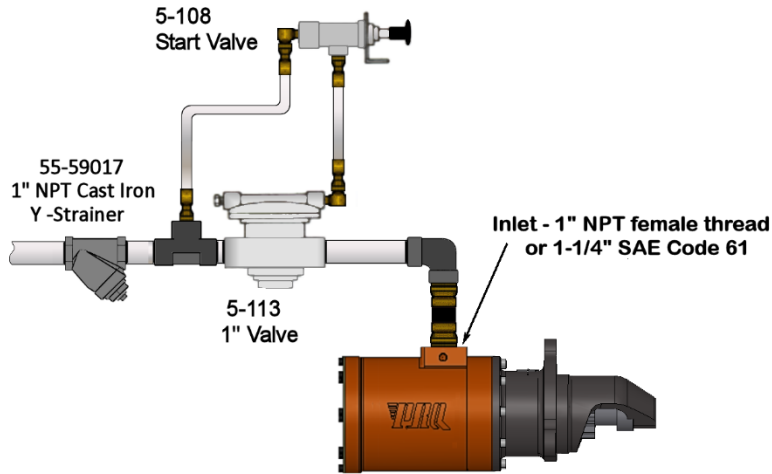




# TYPICAL AIR INSTALLATIONS



 **WARNING** - Do not operate this PRQ 22i turbine starter with air pressure greater than the pressure rating on the nameplate.

 **COAST DOWN PERIOD**  
After a failed start attempt wait at least 30 seconds prior to the next start attempt. This is required in order for the turbine starter to stop rotating.



**Pow-R-Quik**  
A Division of Maradyne Corporation  
4540 West 160th Street  
Cleveland, OH 44135  
PH: 216-362-0755  
Fax: 216-362-0799

Website - [www.powrquik.com](http://www.powrquik.com) Email - [sales@powrquik.com](mailto:sales@powrquik.com)