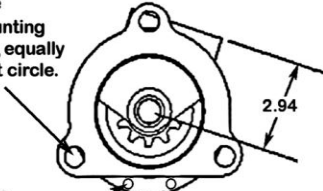
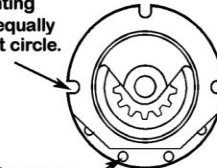


**SAE #3 Flange**  
 Three  $\varnothing 21/32$ " mounting holes for 5/8" bolts, equally spaced on 5.75" bolt circle.



Holes for 1/4-28 screws  
 Housing may be rotated any of 10 positions.

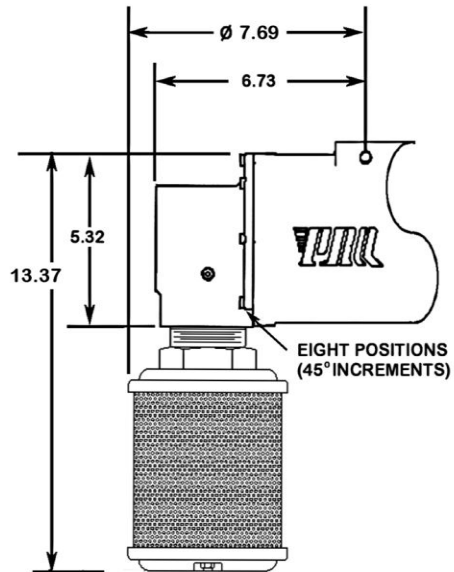
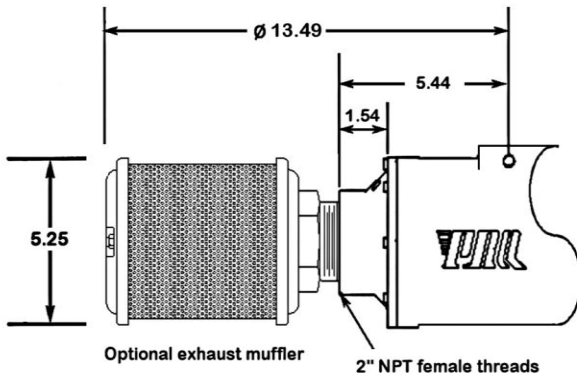
**SAE #1 Flange**  
 Three  $\varnothing 13/32$ " mounting holes for 3/8" bolts, equally spaced on a 5.0" bolt circle.



Holes for 1/4-28 screws  
 Housing may be rotated any of 10 positions.

Rotation viewed from this end.  
 Right Hand - Clockwise  
 Left Hand - Counterclockwise

### EXHAUST ADAPTER & MUFFLER OPTIONS



### PRQ22p Turbine Starter dimensions