

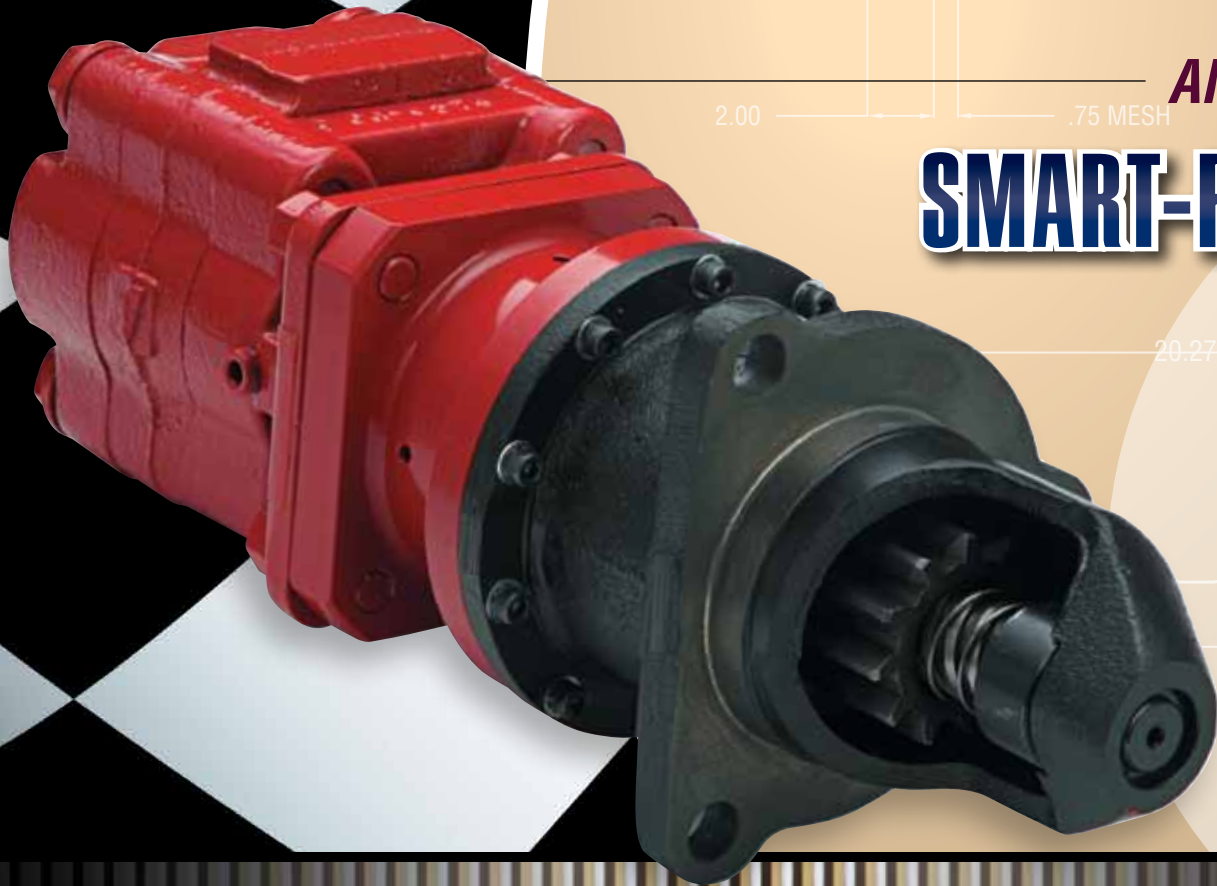


**Performance  
Reliability  
Quality**

# **HS** Series

*The best gets better...*

**Hydraulic  
Starters**



2.00

.75 MESH

**AND**

## **SMART-R-VALVE™**



20-27

**The Soft  
Engagement  
Valve**

Patent pending



**Pow-R-Quik**



# Pow-R-Quik

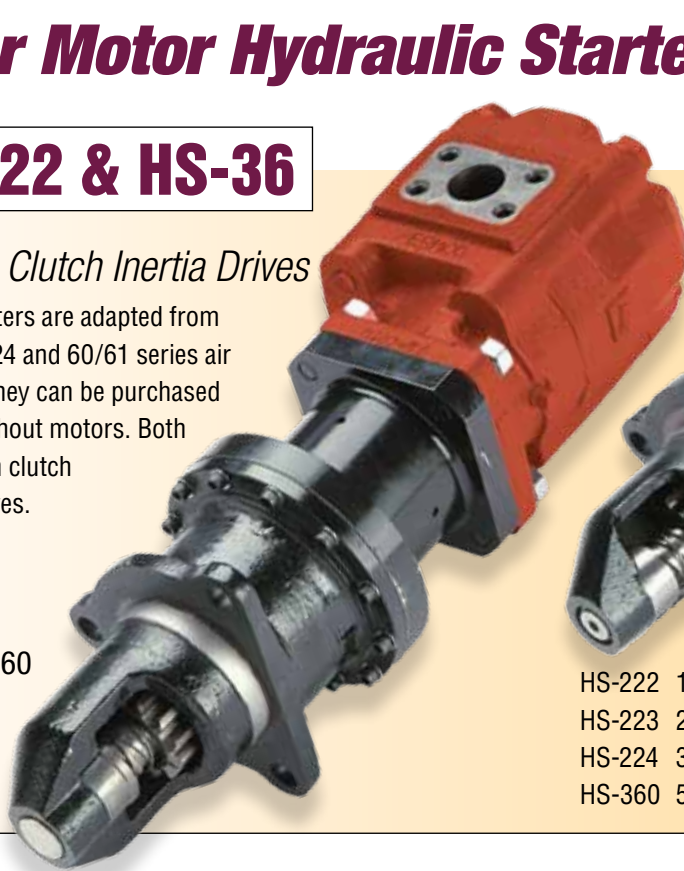
## HS Series 22 & 36 Starters & Gear Motor Hydraulic Starters

### HS-22 & HS-36

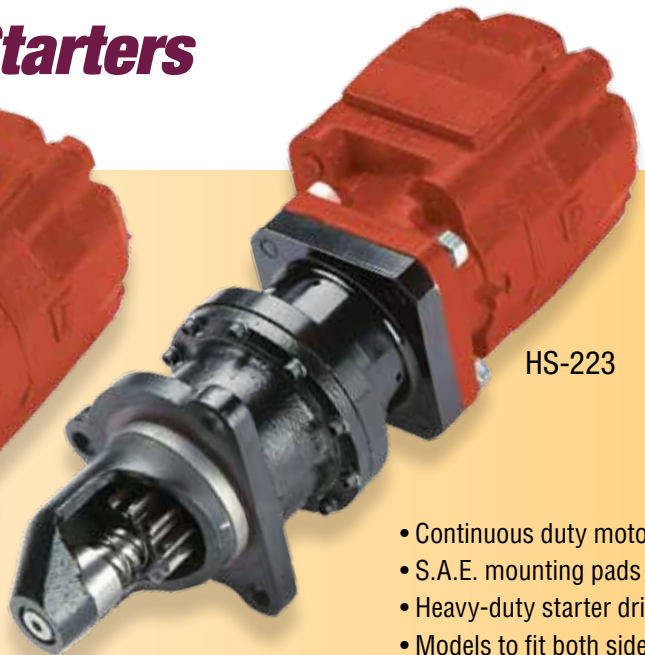
#### Friction Clutch Inertia Drives

These starters are adapted from PRQ's 23/24 and 60/61 series air starters. They can be purchased with or without motors. Both use friction clutch starter drives.

HS-360



HS-223



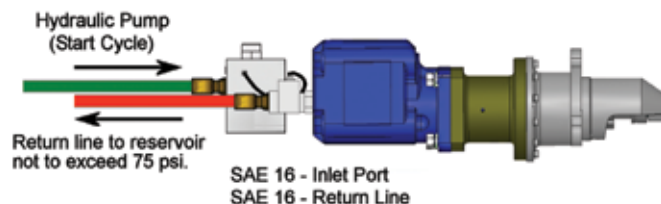
- HS-222 1 cu. in. (16.4 cc)
- HS-223 2 cu. in. (32.8 cc)
- HS-224 3 cu. in. (49.2 cc)
- HS-360 5.15 cu. in. (84.3 cc)

- Continuous duty motors
- S.A.E. mounting pads
- Heavy-duty starter drives
- Models to fit both sides of multi-pad engines
- Can be purchased less motor
- Side and rear ports

## Factory Installed Smart-R-Valve™!



HS starters are now available with a Smart-R-Valve™ installed and tested at the factory. How easy is that?



All SAE ports are Straight Threaded O-ring Boss (ORB)

# Hydraulic Starting Systems

Designed for the hydraulic fracturing market

## Smart-R-Valve™ ...

*The best hydraulic starting system  
in the “Fracking World”*



## SMART-R-VALVE™

**Say Goodbye to Pressure Spikes**

**Adjustments:** None required

**Flow Rating:** 50-80 GPM

**Temperature Range:**  
-40° to 180°

**Consult factory for extreme  
ambient temperature  
applications.**

PreEngages the pinion to ring gear

**NO MORE** broken ring gears

**NO MORE** broken drives

**NO MORE** broken nose cones

**NO MORE** downtime

**Consult factory for  
system compatibility**



Broken nose cone and drive on the first cycle.

## Unbelievable Results!



### *The Smart-R-Valve™ Advantage*

“We set up our test rig so we could break the starter drive and the nose cone of our test starter with just one cycle. With the addition of the Smart-R-Valve™ to the rig with the same pressures and flow we have gone thousands of cycles and the pinion and the drive looks like new.”

– Ed Zaleski, Test Engineer

# HS Series

# Hydraulic Starters

## Hydraulic Starter "Drive Kits"

### KIT #6-3-180 Used in:

- 6-HS-223 RH2-1 PQS74
- 6-HS-224 RH2-1
- 6-HS-223 RH2-1 L/M
- 6-HS-223 RH2 PQS79
- 6-HS-223 RH2-1 PQS74 L/M
- 6-HS-223 RH2-1

### KIT #6-3-181 Used in:

- 6-HS-223 RH2 L/M HA03

### KIT #6-3-184 Used in:

- 6-HS-223 RH1 L/M
- 6-HS-224 RH
- 6-HS-223 RH1
- 6-HS-223 RH1 L/M HA02
- 6-HS-223 RH1 BJ
- 6-HS-223 RH1 HA02

### KIT #6-3-186 Used in:

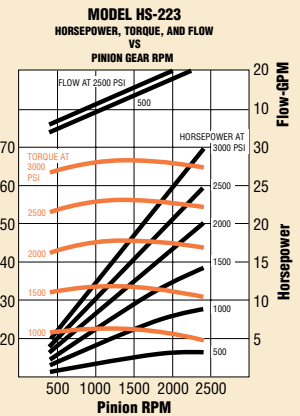
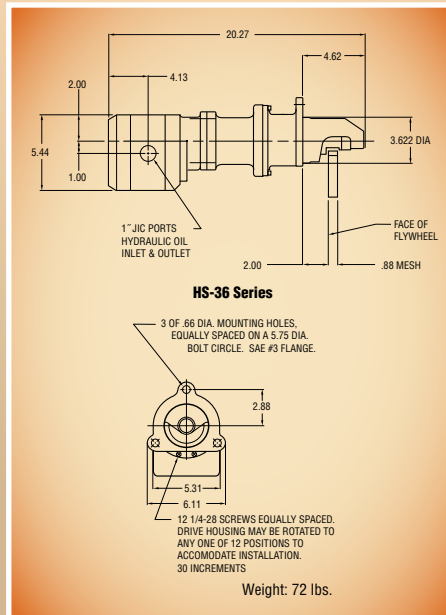
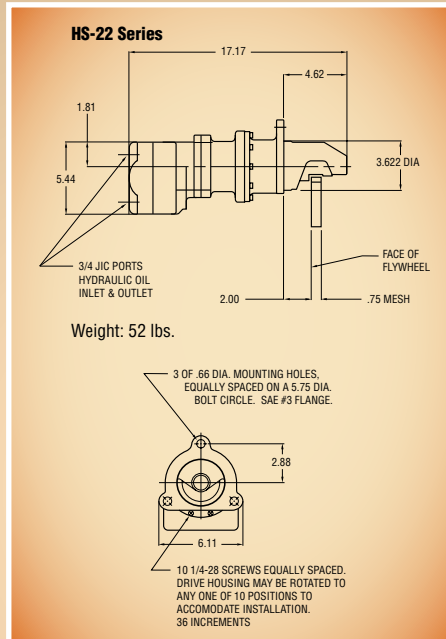
- 6-HS-223 RH1 L/M HA01

### KIT #6-3-188 Used in:

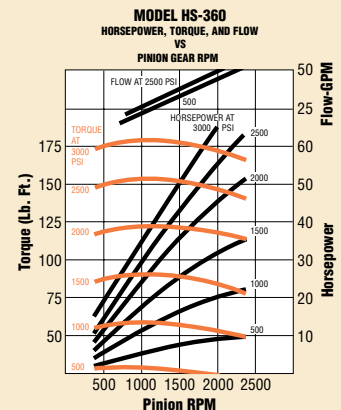
- 6-HS-224 RH1 PQS79
- 6-HS-224 RH1 RD PQS79
- 6-HS-224 RH2
- 6-HS-223 RH1 PQS79
- 6-HS-223 RH1 PQS79 L/M

### KIT #6-3-183 Used in:

- 6-HS-360 RH1 RP01 PQS82
- 6-HS-360 RH1
- 6-HS-360 RH1 PQS80
- 6-HS-360 RH1 PQS80 L/M
- 6-HS-360 RH1 L/M
- 6-HS-360 RH1 RP01
- 6-HS-360 RH1-3M



**The higher  
the system  
pressure the  
more you need  
Smart-R-Valve™**



## Pow-R-Quik

### MARADYNE CORPORATION (HQ)

4540 West 160th Street, Cleveland, OH 44135  
216.362.0755 phone | 800.537.7444 toll free  
216.362.0799 fax  
email: sales@powrquik.com

### HOUSTON OFFICE

6019 South Loop East  
Houston, TX 77033  
713.644.2215 phone  
713.644.2216 fax

### CANADIAN WAREHOUSE

MTE Logistics Calgary Inc.  
6505 48th Street SE  
Calgary, AB T2C-3J7  
7am - 3pm: 216.362.0755 Ext 146  
After 3pm: 801.455.1928