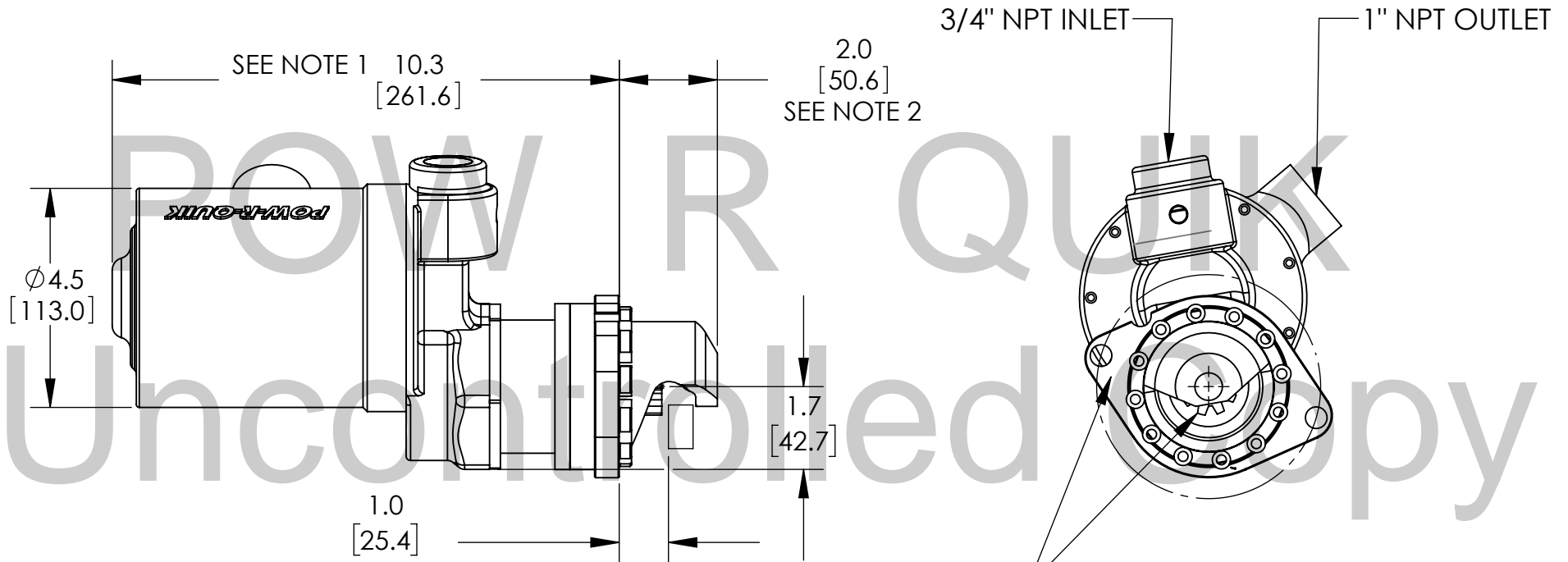


The subject matter shown and described in this drawing and any other information advanced in connection therewith is to be held in strict confidence. All rights to any designs, inventions, trademarks, and copyrights disclosed are reserved to Dreison International Inc.



NOTES:

SEE NOTE 2

1. DIM VARIES BASED ON SHIM PACK AND FLANGE WIDTH RANGE: 9.3 [236.2] TO 10.8 [274.3]
2. DIM VARIES BASED ON SHIM PACK AND FLANGE WIDTH
3. INLET/OUTLET/DRIVE HSG OPENING/FLANGE ORIENTATION CUSTOMIZABLE TO CUSTOMER NEEDS.

UNITS: INCHES [MM]

LAST UPDATED 4/12/24

THIRD ANGLE PROJECTION	INTERPRET IN ACCORDANCE WITH ANSI Y14.5M-1982	
STD TOLERANCES (UNLESS OTHERWISE NOTED)		
Fractional $\pm 1/32$	Decimal .XX \pm 0.010 .XXX \pm 0.005	Angular $\pm 1^\circ$
WHOLE NUMBERS & 1 PLACE DECIMALS ARE REFERENCE DIMENSIONS ONLY		
DIMENSIONS IN INCHES [mm]	DO NOT SCALE	
PROJ-REF -	Author - Checked -	



TITLE CUSTOMER OUTLINE			
SIZE A	FSCM NO. ODBY7	DWG. NO. LS-8 / LS-8T GENERIC	REV A
APPROVED	SCALE 5:16	SHEET SHEET 1 OF 1	