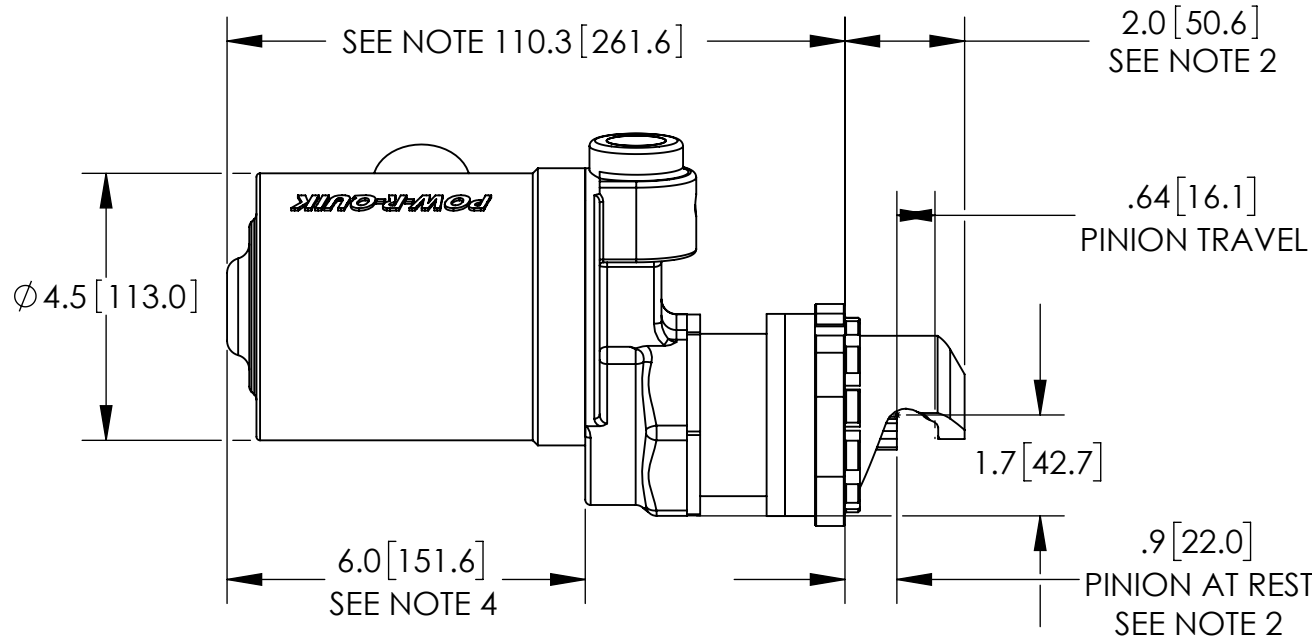
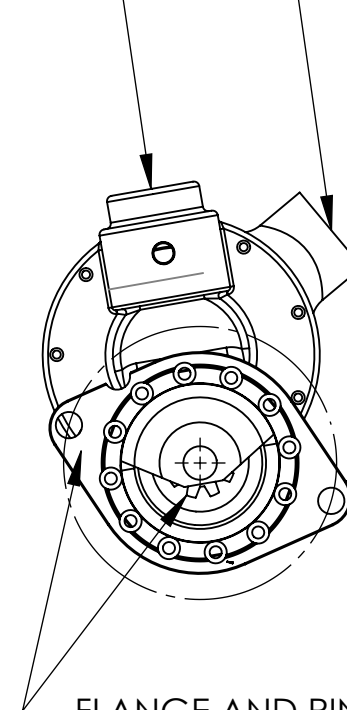


The subject matter shown and described in this drawing and any other information advanced in connection therewith is to be held in strict confidence. All rights to any designs, inventions, trademarks, and copyrights disclosed are reserved to Dreison International Inc.



3/4" NPT INLET

1" NPT OUTLET



FLANGE AND PINION CONFIGURATION VARIES WITH APPLICATION

NOTES:

1. DIM VARIES BASED ON SHIM PACK AND FLANGE WIDTH RANGE: 9.3 [236.2] TO 10.8 [274.3]
2. DIM VARIES BASED ON SHIM PACK AND FLANGE WIDTH
3. INLET/OUTLET/DRIVE HSG OPENING/FLANGE ORIENTATION CUSTOMIZABLE TO CUSTOMER NEEDS.

4. DIM VARIES:
STANDARD LS-8 6.0 [152.4]
SHORT LS-8S 5.5 [139.7]

UNITS: INCHES [MM]

LAST UPDATED 12/11/24

| | | |
|--|---|----------------|
| THIRD ANGLE PROJECTION | INTERPRET IN ACCORDANCE WITH ANSI Y14.5M-1982 | |
| | | |
| STD TOLERANCES (UNLESS OTHERWISE NOTED) | | |
| Fractional ±1/32 | Decimal .XX± 0.010 .XXX± 0.005 | Angular ±1° |
| WHOLE NUMBERS & 1 PLACE DECIMALS ARE REFERENCE DIMENSIONS ONLY | | |
| DIMENSIONS IN INCHES [mm] | DO NOT SCALE | |
| PROJ-REF - | Created- Author - Checked - | |



| | | | | |
|---------------------------|-------------------|---|----------|--|
| TITLE CUSTOMER OUTLINE | | | | |
| SIZE A | FSCM NO. ODBY7 | DWG. NO. LS-8/LS-8T/LS-8S/LS-8TS GENERIC | REV A | |
| APPROVED | SCALE 5:16 | SHEET SHEET 1 OF 1 | | |